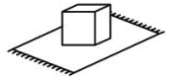
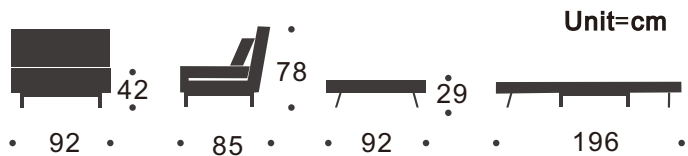
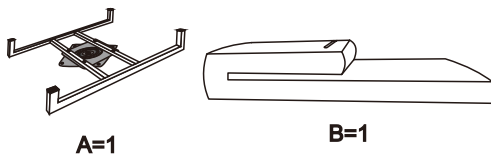




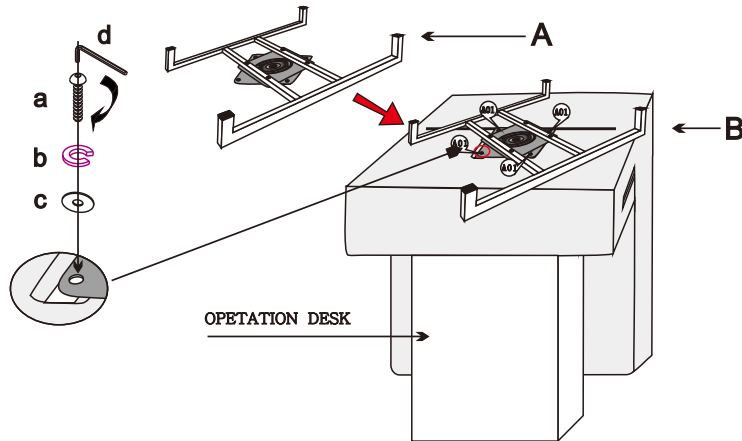
**GENERAL NOTE: CAREFULLY REMOVE ALL WRAPPING MATERIALS AND ENSURE ALL PARTS ARE ACCOUNTED FOR. ASSEMBLE ON A CLEAN FLAT SURFACE TO AVOID SCRATCHES. DO NOT DISCARD THE PACKAGING UNTIL ITEM IS FULLY ASSEMBLED.**



<p>a=4  M6X45mm</p> <p>b=4  Φ6</p> <p>c=4  Φ6</p> <p>d=1  4mm</p> <p>e=1  M8X35mm</p> <p>f=2  Φ8</p> <p>g=1  m8</p> <p>h=1  6mm</p> <p>j=1  13mm</p>	1		2	
	3		4	
	5		6	



### step1



### step2

