

IMPORTANT INFO

Carefully remove all wrapping materials and ensure all parts are accounted for before assembly. Assemble on a clean and flat surface to avoid scratches, we recommend using a carpet underneath the object. Two people are required for a safe assembly. Do not discard the packaging until the item is fully assembled.

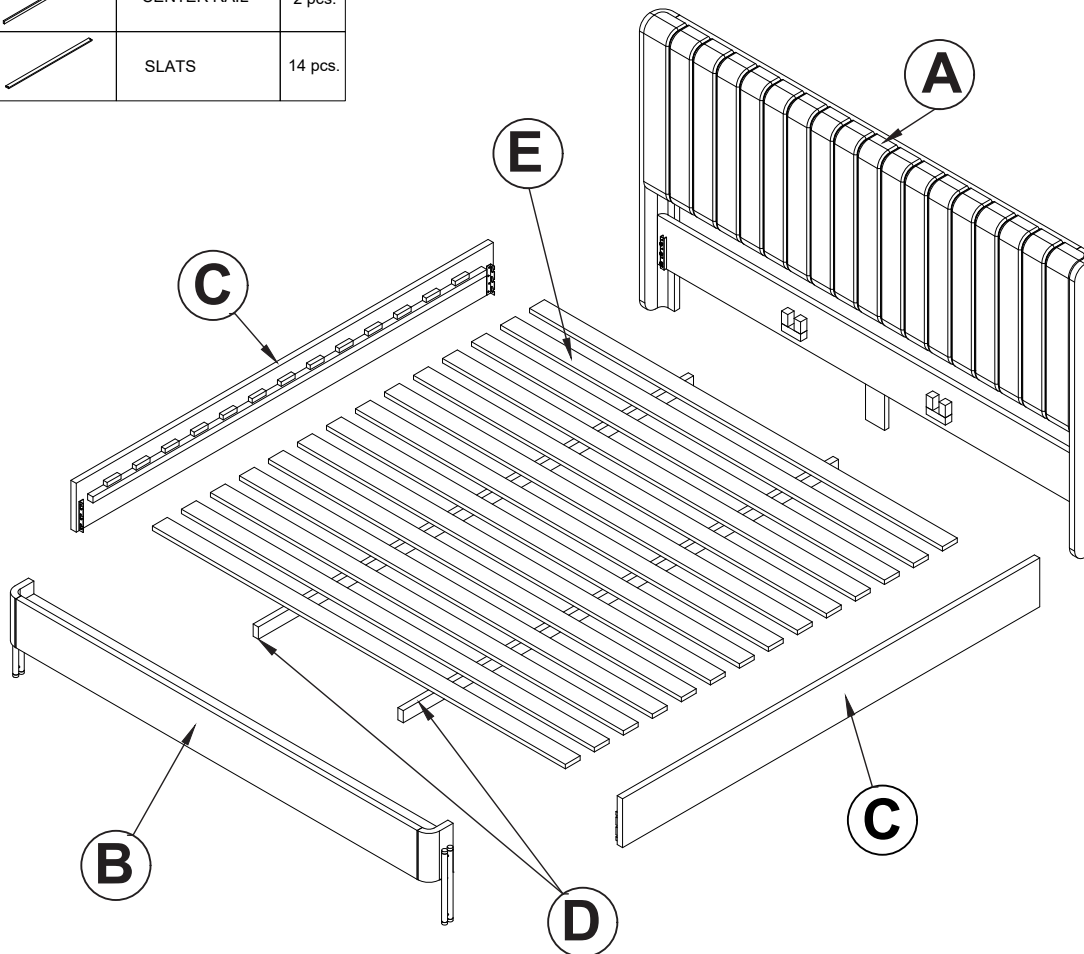


FULLY ASSEMBLED

TOOL LIST

A		HEADBOARD	1 pc.
B		FOOTBOARD	1 pc.
C		SIDE RAIL	2 pcs.
D		CENTER RAIL	2 pcs.
E		SLATS	14 pcs.

1		Cap Bolts (M8x15mm)	12 pcs.
2		Allen wrench (4mm)	1 pc.
3		Screw (M4*30mm)	28 pcs.



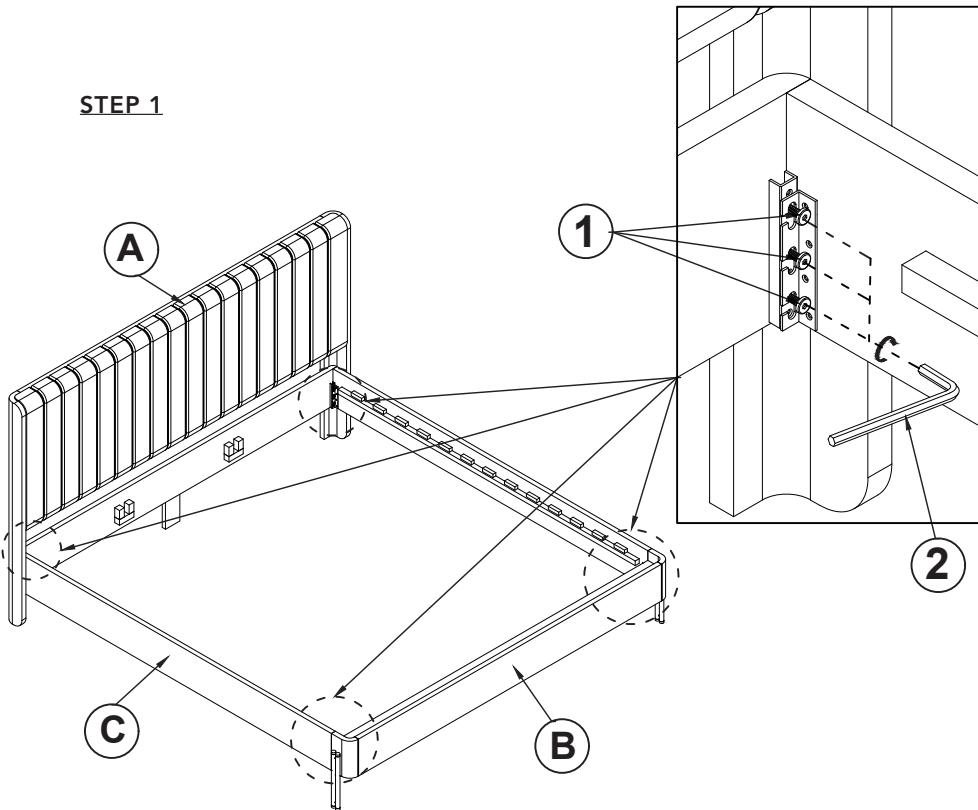
IMPORTANT INFO

Carefully remove all wrapping materials and ensure all parts are accounted for before assembly. Assemble on a clean and flat surface to avoid scratches, we recommend using a carpet underneath the object. Two people are required for a safe assembly. Do not discard the packaging until the item is fully assembled.



FULLY ASSEMBLED

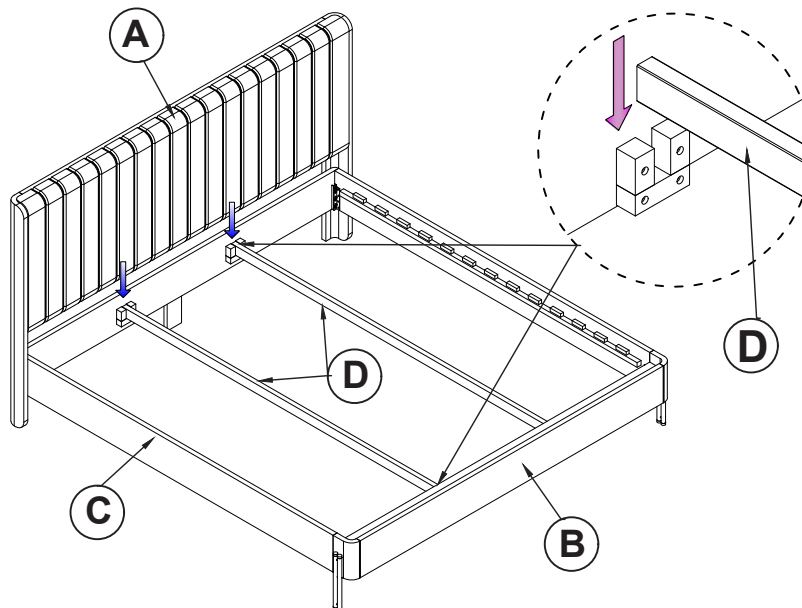
STEP 1



You will need:

NO.	ITEM	DESCRIPTION	QTY.
1		Cap Bolts (M8x15mm)	12 pcs.
2		Allen wrench (4mm)	1 pc.

STEP 2



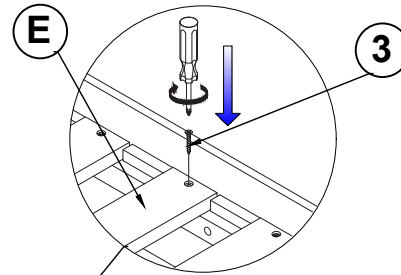
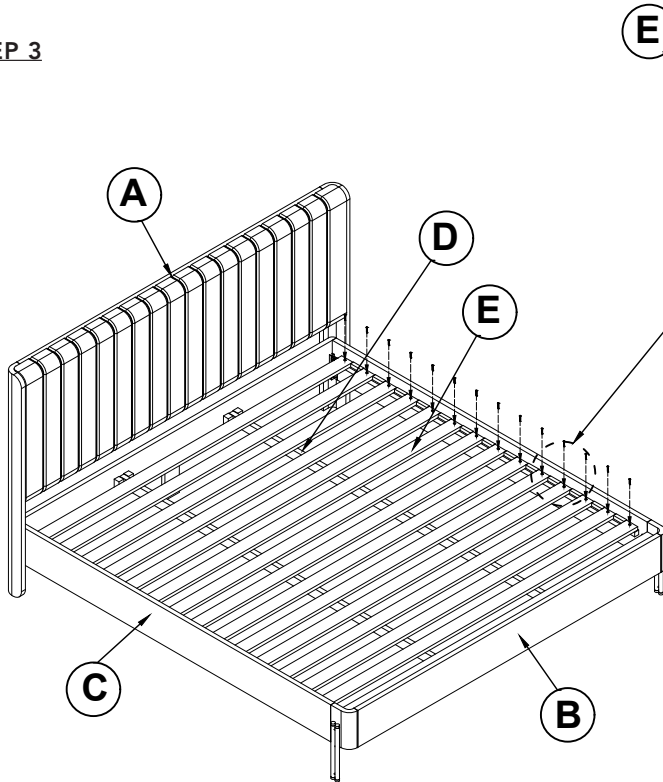
IMPORTANT INFO


Carefully remove all wrapping materials and ensure all parts are accounted for before assembly. Assemble on a clean and flat surface to avoid scratches, we recommend using a carpet underneath the object. Two people are required for a safe assembly. Do not discard the packaging until the item is fully assembled.




FULLY ASSEMBLED

STEP 3

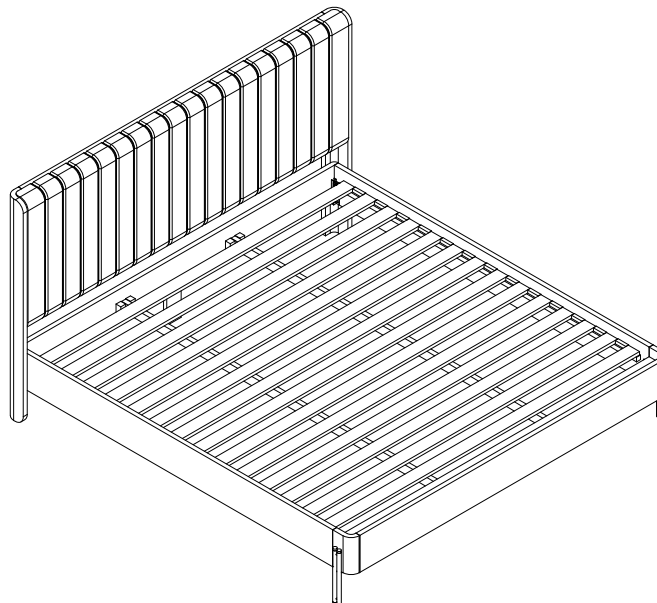


(Tools not provided) 
Phillips Head Screwdriver

You will need:

NO.	ITEM	DESCRIPTION	QTY.
3		Screw (M4*30mm)	28 pcs.

STEP 4



IMPORTANT INFO

Carefully remove all wrapping materials and ensure all parts are accounted for before assembly. Assemble on a clean and flat surface to avoid scratches, we recommend using a carpet underneath the object. Two people are required for a safe assembly. Do not discard the packaging until the item is fully assembled.

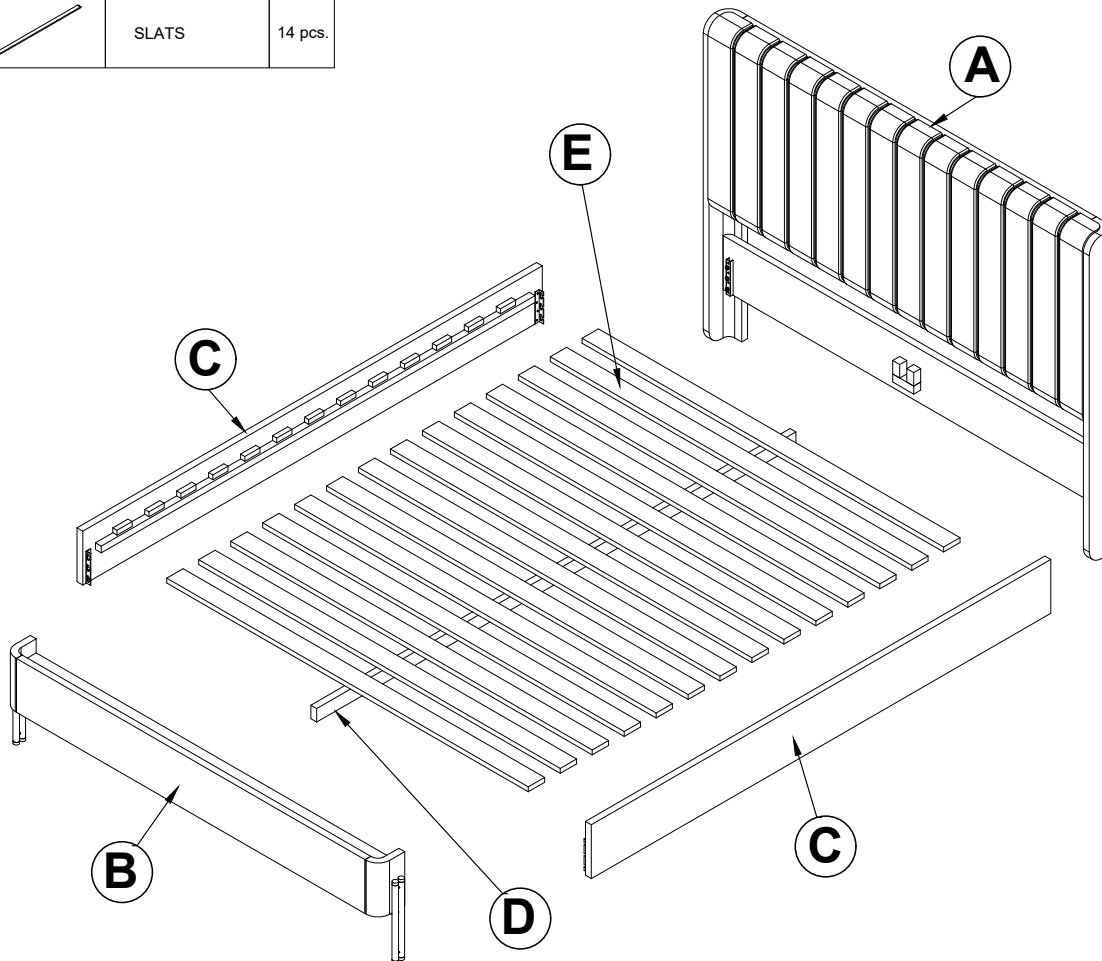


FULLY ASSEMBLED

TOOL LIST

A		HEADBOARD	1 pc.
B		FOOTBOARD	1 pc.
C		SIDE RAIL	2 pcs.
D		CENTER RAIL	1 pc.
E		SLATS	14 pcs.

1		Cap Bolts (M8x15mm)	12 pcs.
2		Allen wrench (4mm)	1 pc.
3		Screw (M4*30mm)	28 pcs.



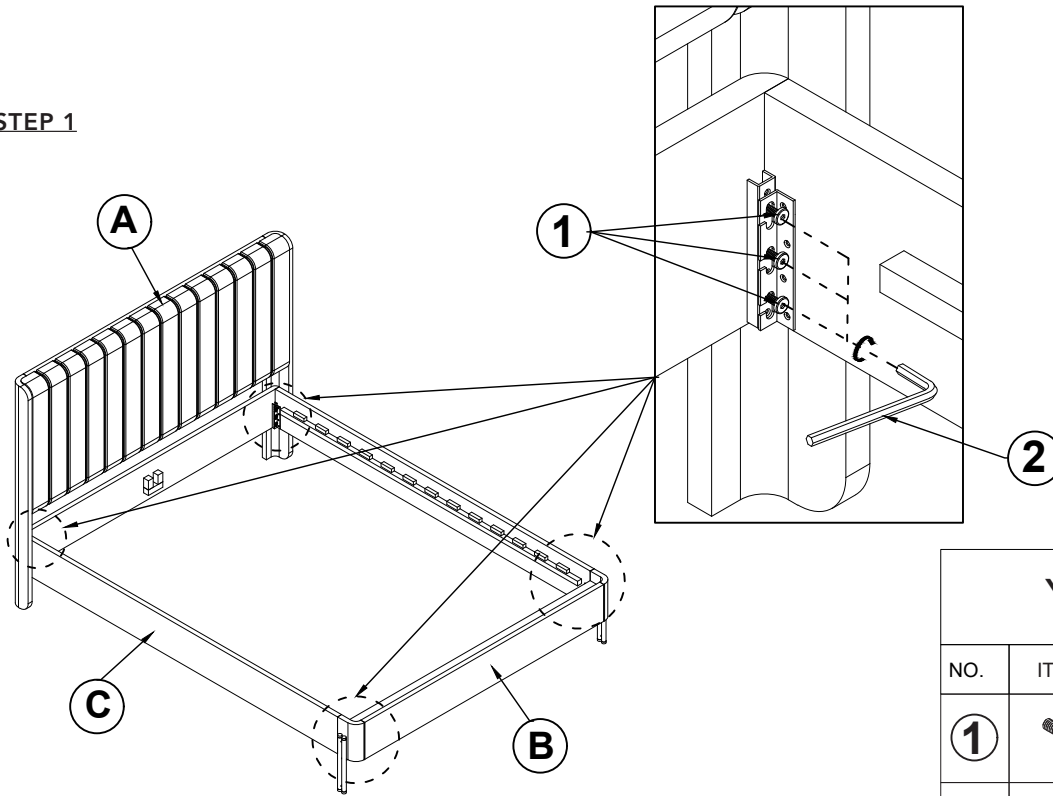
IMPORTANT INFO

Carefully remove all wrapping materials and ensure all parts are accounted for before assembly. Assemble on a clean and flat surface to avoid scratches, we recommend using a carpet underneath the object. Two people are required for a safe assembly. Do not discard the packaging until the item is fully assembled.



FULLY ASSEMBLED

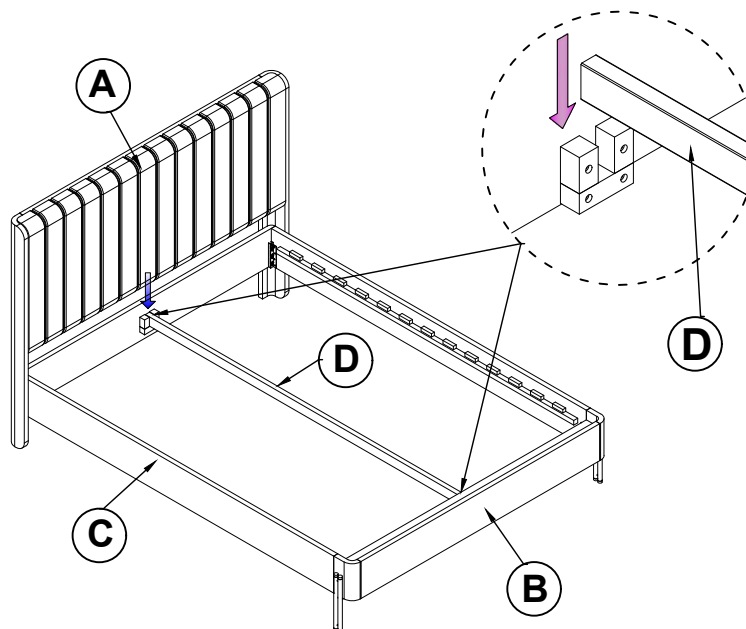
STEP 1



You will need:

NO.	ITEM	DESCRIPTION	QTY.
①		Cap Bolts (M8x15mm)	12 pcs.
②		Allen wrench (4mm)	1 pc.

STEP 2



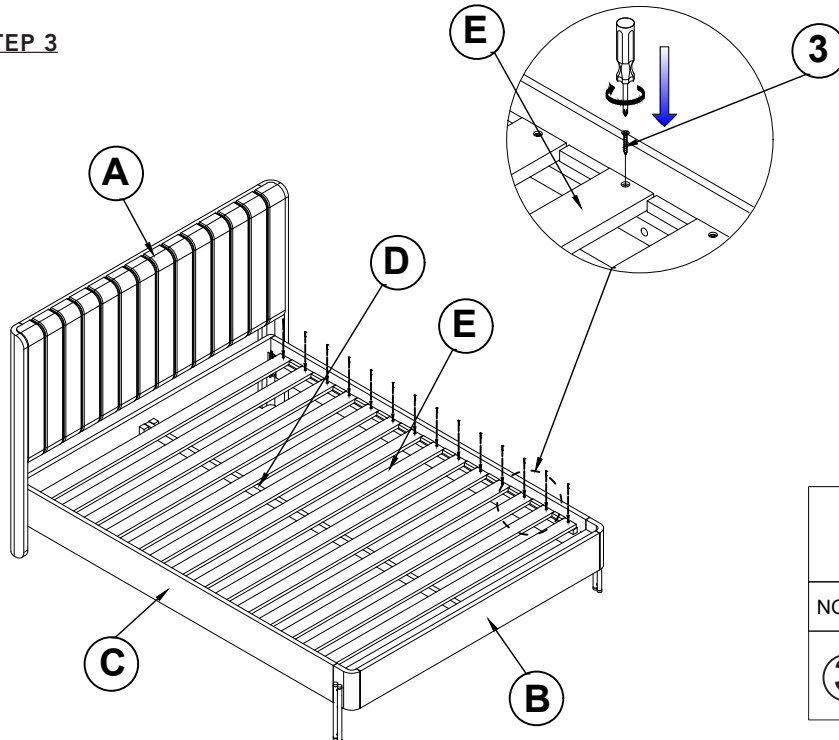
IMPORTANT INFO


Carefully remove all wrapping materials and ensure all parts are accounted for before assembly. Assemble on a clean and flat surface to avoid scratches, we recommend using a carpet underneath the object. Two people are required for a safe assembly. Do not discard the packaging until the item is fully assembled.




FULLY ASSEMBLED

STEP 3



(Tools not provided) 
Phillips Head Screwdriver

You will need:

NO.	ITEM	DESCRIPTION	QTY.
3		Screw (M4*30mm)	28 pcs.

STEP 4

