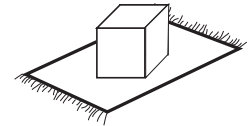
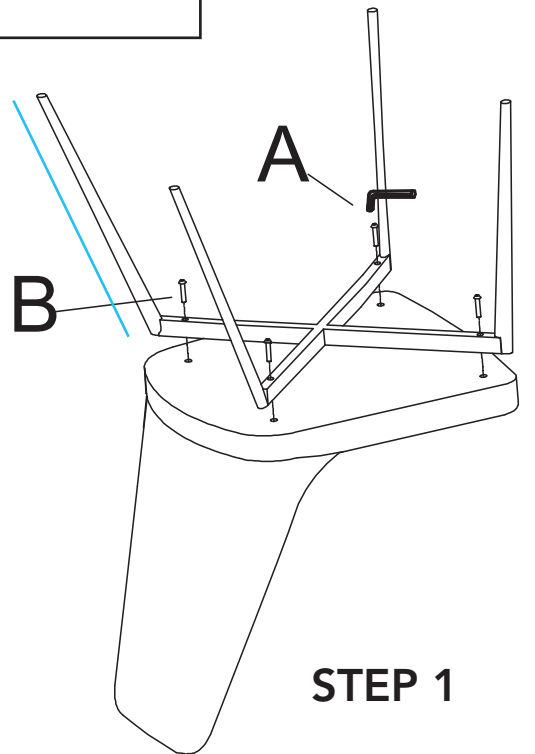


**GENERAL NOTE: CAREFULLY REMOVE ALL WRAPPING MATERIALS AND ENSURE ALL PARTS ARE ACCOUNTED FOR. ASSEMBLE ON A CLEAN FLAT SURFACE TO AVOID SCRATCHES. DO NOT DISCARD THE PACKAGING UNTIL ITEM IS FULLY ASSEMBLED.**

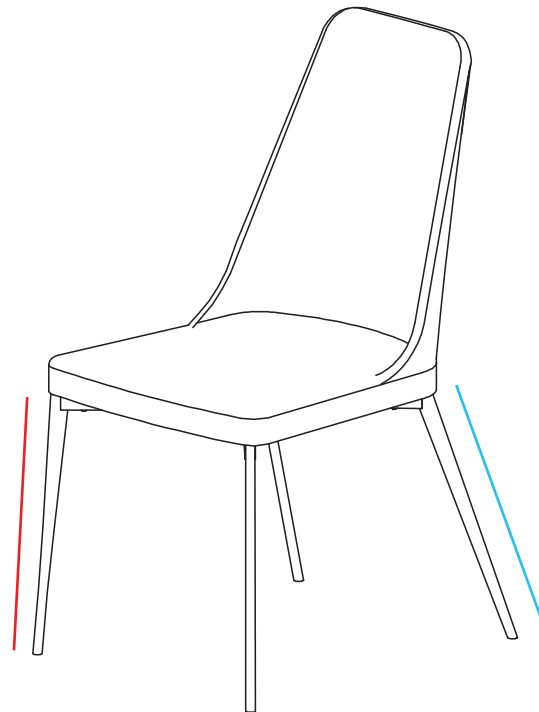


LEGS WHICH ARE STRAIGHTER ARE THE **FRONT LEGS**.

LEGS WITH MORE OF AN ANGLE ARE **BACK LEGS** OF CHAIR.



**STEP 1**



**STEP 2**

**FITTING PARTS LIST**

A	B
1 PC	4 PCS