

# PRINGLE ARMCHAIR

**FEATURES**

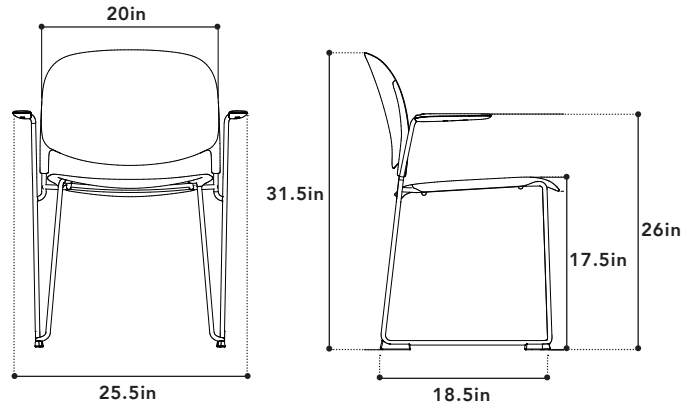
The Pringle dining chairs are made from stainless steel and then powder coated so they will not rust and the flexible UV, mould and mildew resistant polypropylene seat and back provide you with the perfect support and comfort. These chairs stack for easy storage.

**COLORS** BLACK, WHITE, GREY, LIGHT BLUE, MATCHA  
**MATERIAL** POLYPROPYLENE AND STAINLESS STEEL  
**FEATURES** COMMERCIAL GRADE, INDOOR/OUTDOOR, UV RESISTANT, STACKABLE UP TO 6, INJECTION MOULD



**DIMENSIONS**

**WIDTH** 26"  
**DEPTH** 19"  
**HEIGHT** 32"  
**WEIGHT CAP** 250kg  
**SEAT HEIGHT** 18"  
**SEAT DEPTH** 18"  
**LEG HEIGHT** 18"  
**BACKREST HEIGHT** 15"



**4 ARMCHAIRS/BOX**

**BOX WIDTH** 28"  
**BOX DEPTH** 21"  
**BOX HEIGHT** 36"  
**BOX WEIGHT** 29.2N | 32.6G  
**PACKAGING** CARTON