

ANTLER

SWIVEL DINING CHAIR

FEATURES

The Antler swivel chair is upholstered in a pebble grain easily maintained leatherette. It features a memory return swivel and a sleek solid black steel base.

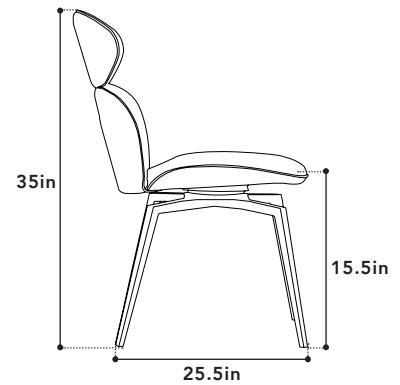
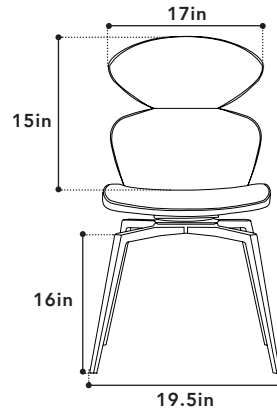
COLORS LIGHT TAUPE,
SLATE GREY
MATERIAL LEATHERETTE

FEATURES MEMORY SWIVEL,
SOLID STEEL POWDER COATED
LEGS, METAL FRAME



DIMENSIONS

WIDTH 19.5" **SEAT HEIGHT** 18.5"
DEPTH 25.5" **SEAT DEPTH** 18"
HEIGHT 35" **LEG HEIGHT** 16"
WEIGHT CAP 120kg **BACKREST HEIGHT** 18.5"



2 DINING CHAIRS/BOX

BOX WIDTH 22"
BOX DEPTH 30"
BOX HEIGHT 27"
BOX WEIGHT 18.2N | 20.7G
PACKAGING CARTON