

FEATURES

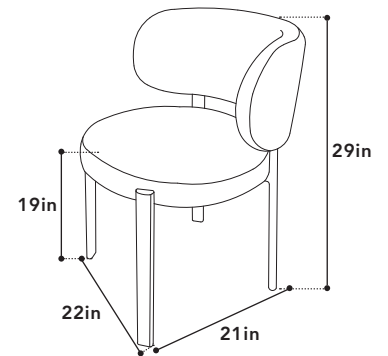
The Lily dining chair is upholstered in two modern fabric options, an alabaster hopsack weave and an ash twill. This stylish chair showcases a sleek leg design in a black powder coated steel frame.

COLOR ALABASTER	CONTENT 100% POLYESTER
MATERIAL HOPSACK	RUB COUNT <20,000
COLOR ASH	CONTENT 100% POLYESTER
MATERIAL TWILL	RUB COUNT <20,000



DIMENSIONS

WIDTH 22"	SEAT HEIGHT 19"
DEPTH 21"	SEAT DEPTH 20"
HEIGHT 29"	LEG HEIGHT -"
WEIGHT CAP 120kg	BACKREST HEIGHT -"



2 DINING CHAIRS/BOX

BOX WIDTH 26"
BOX DEPTH 23"
BOX HEIGHT 38"
BOX WEIGHT 14.3N 17G
PACKAGING CARTON