

FEATURES

The Lily dining chair is upholstered in two modern fabric options, an alabaster hopsack weave and an ash twill. This stylish chair showcases a sleek leg design in a black powder coated steel frame.

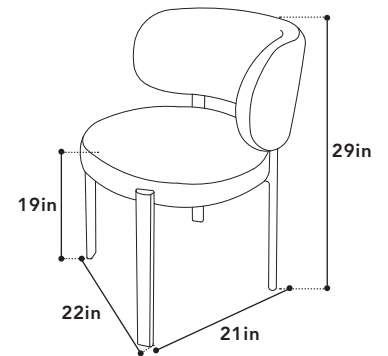
COLOR ALABASTER **CONTENT** 100% POLYESTER
MATERIAL HOPSACK **RUB COUNT** <20,000

COLOR ASH **CONTENT** 100% POLYESTER
MATERIAL TWILL **RUB COUNT** <20,000



DIMENSIONS

WIDTH 22" **SEAT HEIGHT** 19"
DEPTH 21" **SEAT DEPTH** 20"
HEIGHT 29" **LEG HEIGHT** -"
WEIGHT CAP 120kg **BACKREST HEIGHT** -"



2 DINING CHAIRS/BOX

BOX WIDTH 26"
BOX DEPTH 23"
BOX HEIGHT 38"
BOX WEIGHT 14.3N | 17G
PACKAGING CARTON