

# MELROSE DINING CHAIR

**FEATURES**

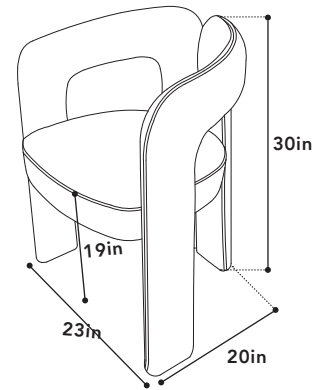
Featuring a distinctive back and arm design that embraces you, the Melrose dining chair is available in two boucle fabric choices: cream and licorice. This chic chair is fully upholstered and pairs well with any table shape/colour.

**COLOR** CREAM, LICORICE    **CONTENT** 95% POLY, 5% ACRYLIC  
**MATERIAL** BOUCLÉ            **RUB COUNT** <20,000



**DIMENSIONS**

**WIDTH** 23"                    **SEAT HEIGHT** 19"  
**DEPTH** 20"                  **SEAT DEPTH** 18"  
**HEIGHT** 30"                  **ARM HEIGHT** 27"  
**WEIGHT CAP** 120kg        **BACKREST HEIGHT** 11"



**DINING CHAIR/BOX**

**BOX WIDTH** 20"  
**BOX DEPTH** 23"  
**BOX HEIGHT** 30"  
**BOX WEIGHT** 10.5N | 12.2G  
**PACKAGING** CARTON