

Vex

2-drawer night table

size

24" x 16" x 17"

packaging details

# of boxes	1
qty. / box	1
box size 1	26" x 19" x 19"
gw	21 kg
nw	19 kg
cuft	5
cbm	0.15

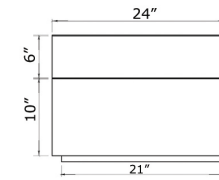
3-drawer night table

size

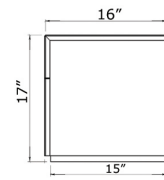
24" x 20" x 23"

packaging details

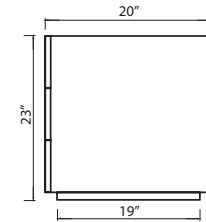
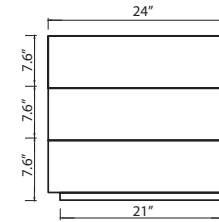
# of boxes	1
qty. / box	1
box size 1	26" x 22" x 25"
gw	29 kg
nw	31 kg
cuft	6
cbm	0.24



front



side



5-drawer chest

size

24" x 18" x 48"

packaging details

# of boxes	1
qty. / box	1
box size 1	26" x 20" x 18"
nw	49 kg
gw	54 kg
cuft	28
cbm	0.46

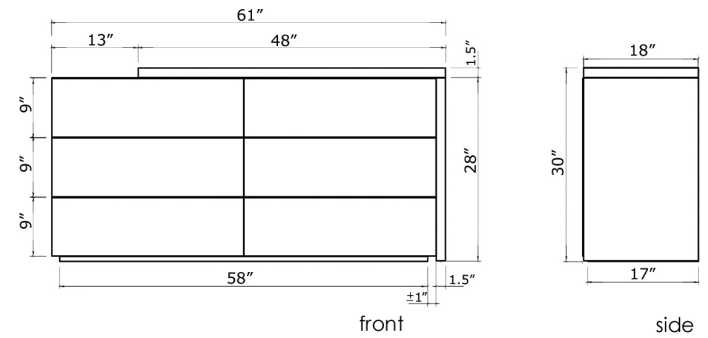
double dresser + extension

size

61" (+48") x 18" x 28"

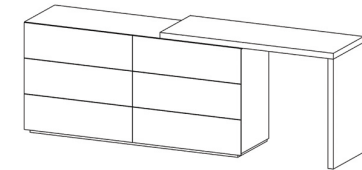
packaging details

# of boxes	2
qty. / box	1
box size 1	64" x 21" x 32"
nw	95 kg
gw	93 kg
cuft	25
cbm	0.69



front

side



EXTENSION DRESSER

2+3 dr night table, 5 dr chest, ext. dresser

color

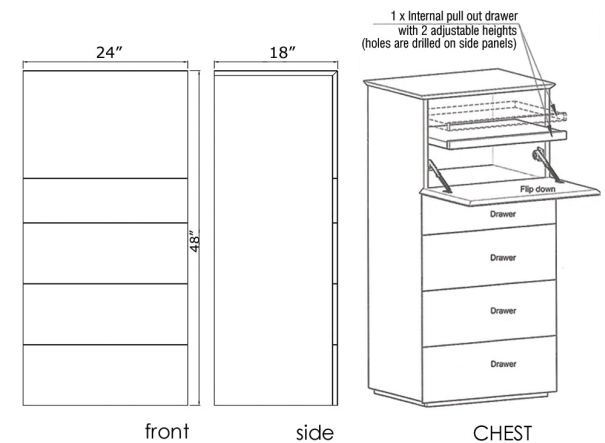
matte white, matte stone, white oak

technical details

picture frame drawer set at 45 degree angle

soft-close drawer mechanism

HDF structure



front

side

CHEST