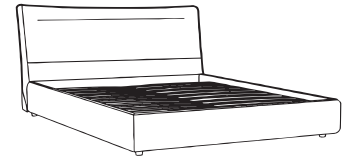


IMPORTANT INFO

Carefully remove all wrapping materials and ensure all parts are accounted for before assembly. Assemble on a clean and flat surface to avoid scratches, we recommend using a carpet underneath the object. Two people are required for a safe assembly. Do not discard the packaging until the item is fully assembled.



FULLY ASSEMBLED

TOOL LIST

A: 40 PCS SCREW



B: 44 PCS WASHER



C: 4 PCS NUT



D: 1 PC ALLEN KEY



E: 4 PC BRACKET A



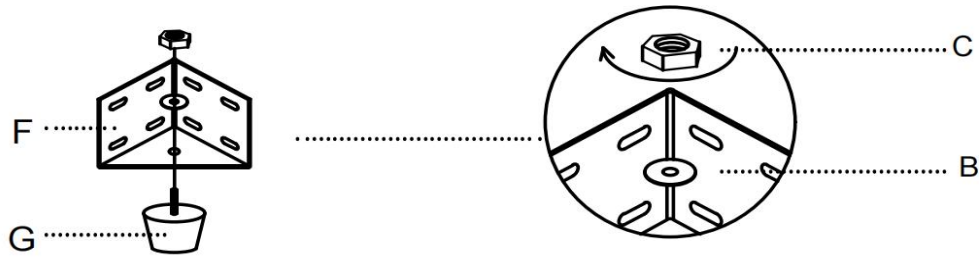
F: 4 PCS BRACKET B



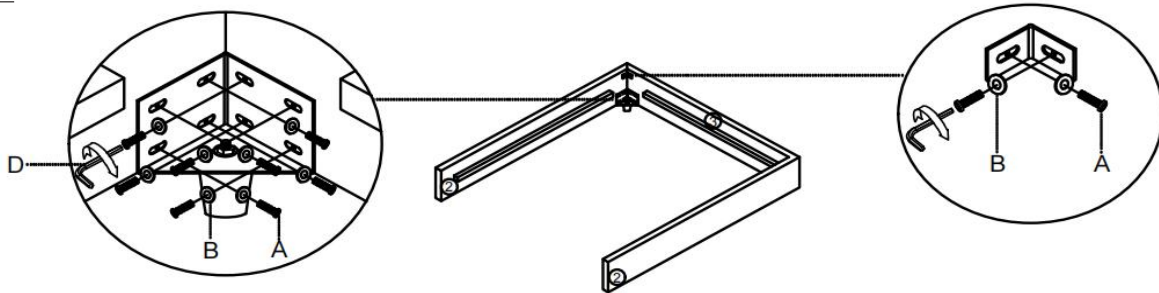
G: 4 PCS LEGS



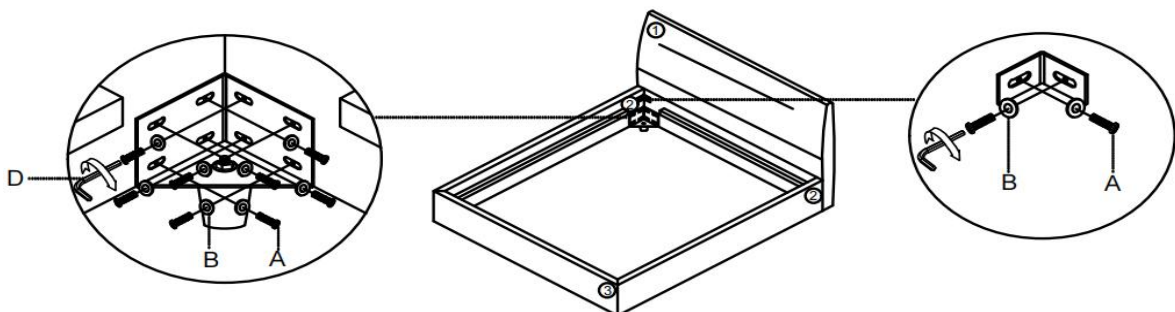
STEP 1



STEP 2

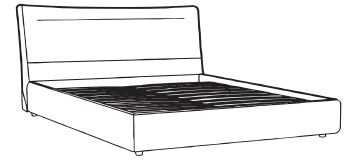


STEP 3



IMPORTANT INFO

Carefully remove all wrapping materials and ensure all parts are accounted for before assembly. Assemble on a clean and flat surface to avoid scratches, we recommend using a carpet underneath the object. Two people are required for a safe assembly. Do not discard the packaging until the item is fully assembled.



FULLY ASSEMBLED

TOOL LIST

A: 40 PCS SCREW



B: 44 PCS WASHER



C: 4 PCS NUT



D: 1 PC ALLEN KEY



E: 4 PC BRACKET A



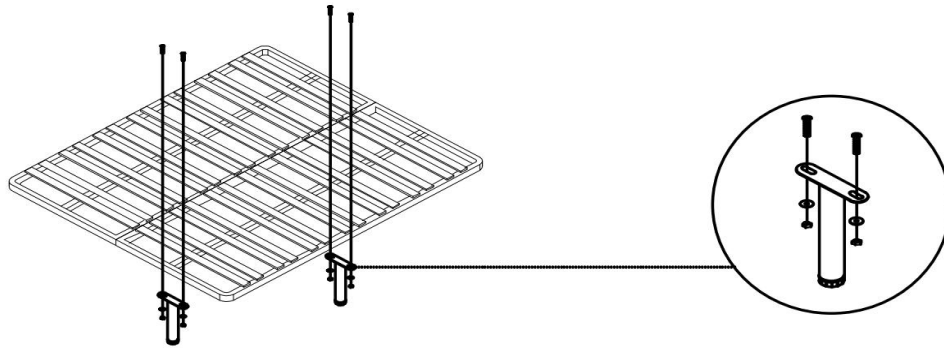
F: 4 PCS BRACKET B



G: 4 PCS LEGS



STEP 4



STEP 5

