

Huntington

2-seater left end

size

77" x 34" x 28"

packaging details

| | |
|------------|-----------------|
| # of boxes | 1 |
| qty. / box | 1 |
| box size 1 | 78" x 35" x 29" |
| gw | 39.8 kg |
| nw | 32.2 kg |
| cuft | 45.72 |
| cbm | 0.85 |

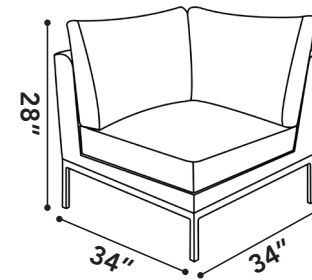
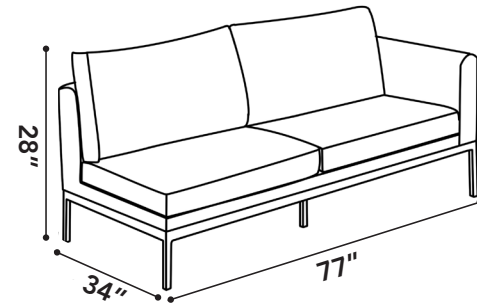
corner + cushion

size

34" x 34" x 28"

packaging details

| | |
|------------|-----------------|
| # of boxes | 1 |
| qty. / box | 1 |
| box size 1 | 35" x 35" x 29" |
| gw | 24.28 kg |
| nw | 20 kg |
| cuft | 0.81 |
| cbm | 0.51 |



2-seater right end

size

77" x 34" x 28"

packaging details

| | |
|------------|-----------------|
| # of boxes | 1 |
| qty. / box | 1 |
| box size 1 | 78" x 35" x 29" |
| gw | 39.8 kg |
| nw | 32.2 kg |
| cuft | 45.72 |
| cbm | 0.85 |

sectional

color

carbon grey

technical details

- grey aluminum frame
- 100% sunbrella acrylic
- foam seat and back cushions
- outdoor sectional
- seat depth without cushion: 28"
- seat depth with cushion: 17"

